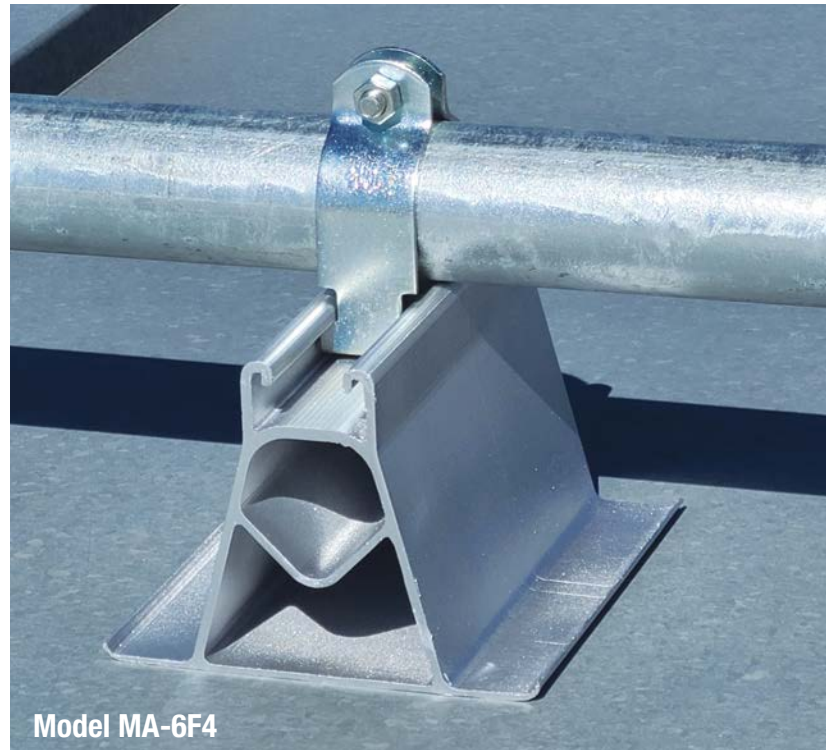




Extruded Aluminum Pipe Support

- One-piece design
- Solid base = larger loads
- Integrated shallow strut allows use of any standard accessory
- Multiple, custom lengths—cut-to-order from 6" to 20" long; can also be cut in field
- 150 lb. load; 5 lb. per square inch compressive strength. Consult roofing engineer and manufacturer for roof capacity.
- Made in USA
- Patent Pending



Model MA-6F4

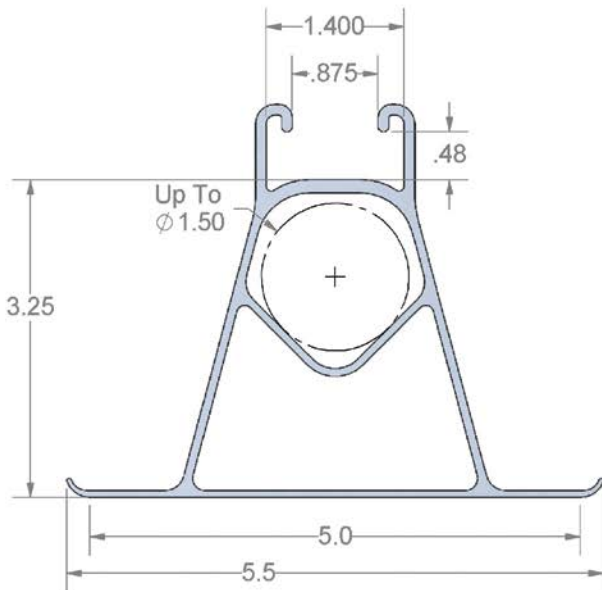
www.MAPaproducts.com
(903) 781-6996

Innovative rooftop supports since 1998





- Multiple levels
- Pipe can run in opposite directions



www.MAPAprducts.com
(903) 781-6996

Innovative rooftop supports since 1998